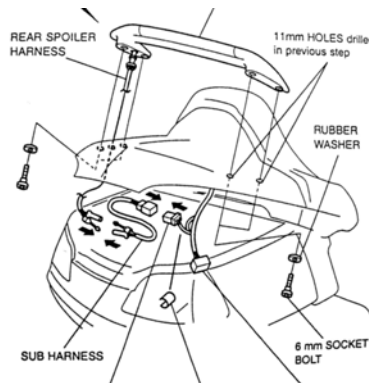
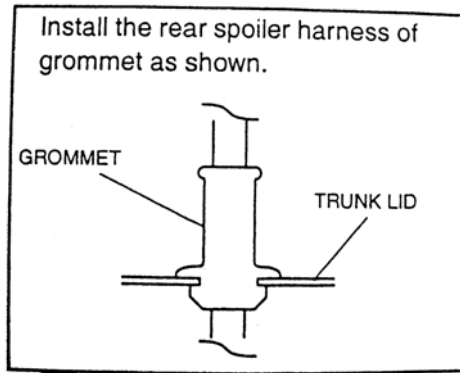




INSTALLATION INSTRUCTION FOR PART 45-1842 LED TURNSIGNAL BRAKE SPOILER LIGHT

Note: Read instructions thoroughly before installing. **For O.E.M. Spoiler only**

1. Place bike on center stand.
2. Remove rear saddlebag filler according to manual instructions.
3. Remove passenger backrest pad and seat per manual instructions.
4. Remove trunk lid inner liner and save screws to put in place again.
 - a. Remove spoiler from bike.
 - b. Unplug the 2 pin connector from the spoiler wire harness.
 - c. Carefully remove spoiler and wire from bike and save hardware for reinstallation later. Put spoiler in a safe place to prevent falling and on a clean surface using a towel or blanket to prevent scratches.
5. Remove the two screws and remove the spoiler light. Save screws.
6. Unplug the wire harness from the light. Put new light in place but do not secure. Plug in the new **short** wire harness into the sub harness and snake through the spoiler, out foot and into trunk. Screw in the new light with saved screws. Remove the sub harness from the new **short** wire harness. Remove tape from rubber grommet on the sub harness and slide grommet over new short 5 wire harness. Tuck rubber grommet into spoiler foot.

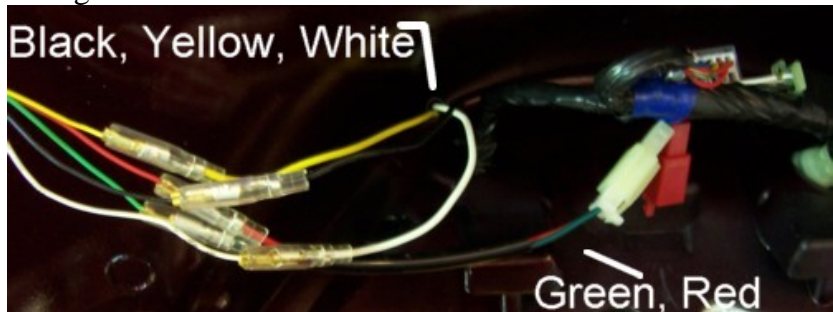


7. Run the **long** wire harness from the trunk to behind the passenger back rest, down behind the seat and saddlebag into the rear fender area. Secure wires to prevent damage from moving parts.

8. Wiring connections.

Trunk: see photo below

- a. Plug in the red and green wire to the short wire harness into the 2 pin connector in the trunk.
- b. The black, yellow and white wires will be connected to the new long wire harness going from the trunk to the boot between the saddlebag to the rear fender area.

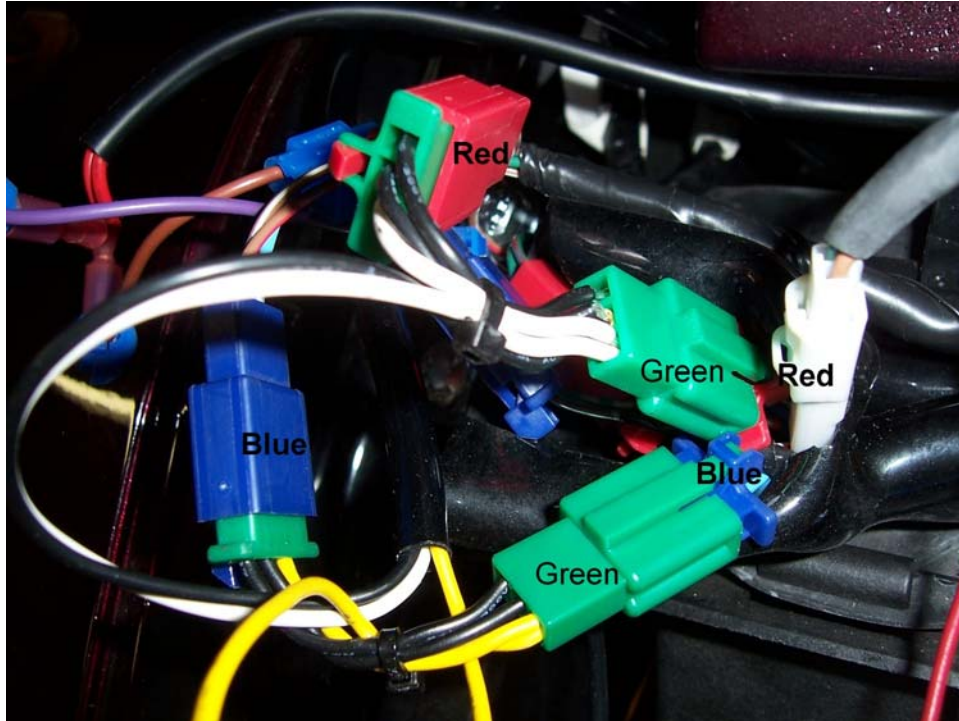


**INSTALLATION INSTRUCTION
FOR PART 45-1842
LED TURNSIGNAL BRAKE SPOILER LIGHT**
continued

9. Wire connections continued:

Rear Fender: see photo below

- a. Plug the yellow and black wires from the green connector into the blue connector as shown.
- b. Plug the white and black wires from the green connector into the red connector as shown.
- c. Secure wires.



10. Test connections.

11. Replace spoiler, trunk lid liner, passenger back rest, seat and rear saddlebag filler.

