



INSTRUCTIONS for Part 45-1631

GL1800 06-08 CHROME RADIATOR GRILL

Note: Read thoroughly before installing.

1. Remove fairing edge moldings. Use a screw driver blade and carefully start from bottom and move it side to side while pulling up. Figure 1.
2. Remove the four allen screws on each side holding the fairing edge. Figure 1.
3. Remove the inner fairing by removing the lower screw and the three trim clips. Figure 2.
4. Open the control panel to access the top of the radiator. Remove the trim clip that holds the radiator grill to the air vent duct.
5. Pull out the front fairing and remove the old radiator grill by pulling it down on the bottom two tabs and push up on the radiator grill to release top tabs. A screwdriver may help prying it off.
6. Remove old grill and insert new one. Hook the tabs first. The top tabs can be hooked using the screwdriver in a twisting motion while pushing in through the outside vent opening,
7. Line up hole and reinstall snap on top of grill.
8. Reinstall all components in reverse order of removal.

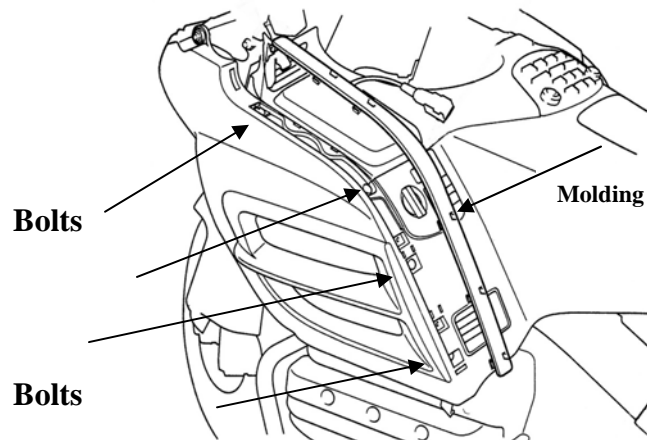


Figure 1

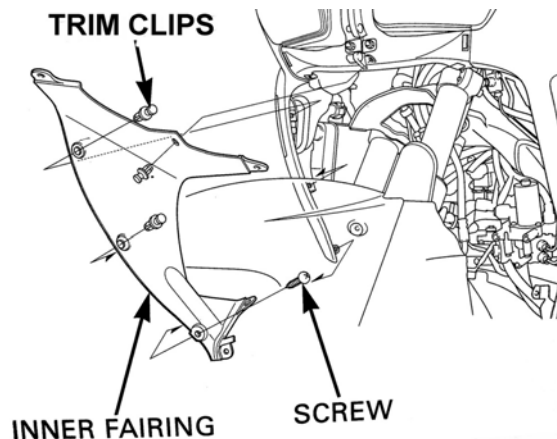


Figure 2