



MOUNTING INSTRUCTIONS
FOR
45-1228 GL1800 CLEAR FRONT TURN SIGNAL LIGHT

Read instructions thoroughly before installing.

1. Place bike on center stand.
2. Remove the screw and mirror from the rearview mirror housing. Figure 1
3. Remove the bulb socket from the turnsignal light by turning it counterclockwise.
4. Pull out the bulb and replace it with the amber bulb.
5. Remove the three screws holding the directional light in the housing. Install the new clear turnsignal light and put the three screws back in to hold. Figure 2
6. Reinstall in the bulb and mirror.

Figure 1

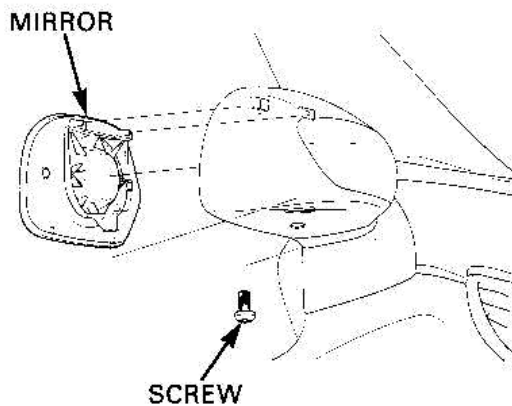


Figure 2

