



INSTALLTATION INSTRUCTIONS FOR 18673-221A GL1800 Driving Lights

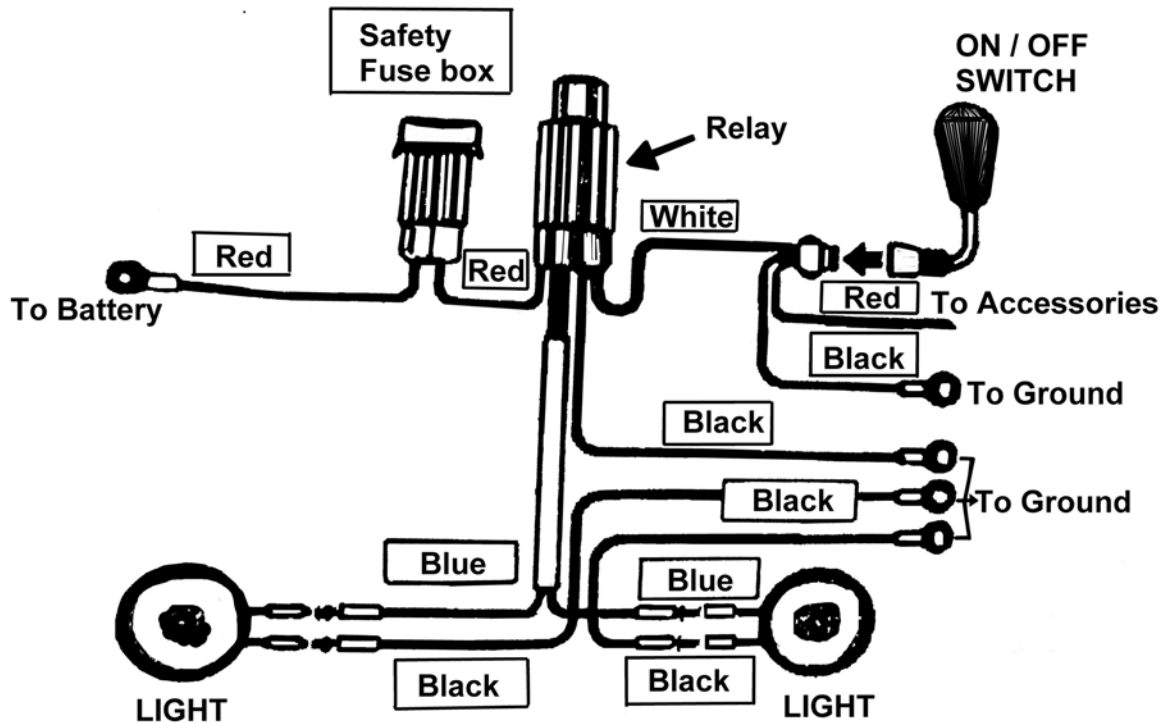
1. Wire lights in accordance with the instructions from the manufacturer (part KY-938-2LK).

WIRING DIAGRAM

1. Disconnect battery.
2. Connect the four black wires (negative to ground).
3. Connect the red positive to the accessory panel.
4. Reconnect the battery.
5. Check power to lights by turning them on.

Note:

1. Wiring to the accessory panel will allow you to switch the lights on and off at will. Got to the battery will leave them on all the time.
2. Do not allow wires to touch moving parts of the bike.
3. This diagram shows a 4 plug system. The bike is a 3 plug system. Red wires go to the accessory panel which comes with the bike. Te white wire is you ground for the switch.



INSTALLTATION INSTRUCTIONS FOR 18673-221A GL1800 Driving Lights (continued)

2. To wire the driving lights with the wire harness, remove the left fairing pocket. File 1/8" off the tab that holds the headset cord. Figure 1. Insert the light switch on the hole with the headset cord and wire lights into the bike. Attach the on/off switch for the driving lights below the headset boot.

3. Test light to insure they work.

4. Remove the lower cowl in accordance with service manual instructions.

5. Cut out knock-outs for the lights in the cowl. Figure 2

6. Remove engine bolt that holds the wire loom. Figure 3

7. On the right hand bracket, drill 1/4" hole 1/4" down from the existing hole. Install the lights to the front of the engine with the brackets. See Figure 4

8. To mount lights:

- Locate the black plastic "spacer" that follows the contour of the cylinder head cosmetic outside cover.
- Locate and remove the upper bolt that holds this "spacer" to the head. (This is where the fog lamp mounts.)
- Place lock washer over 6mm bolt (supplied in kit).
- Insert through middle hole in lamp mount base. Figure 5.
- Slide lexan spacer (supplied in kit) on next and then thread bolt into that upper bolt hole in the black "spacer" and tighten being careful not to over-tighten. (Recommend using a 1/4" ratchet.)
- It may be necessary to swing the lamps to the outside about 1/2" or so to get them to line up with the lamp cutouts in the lower cowl.

9. Line up lights with lower cowl before completely tightening bolts.

10. Re-attach lower cowl.

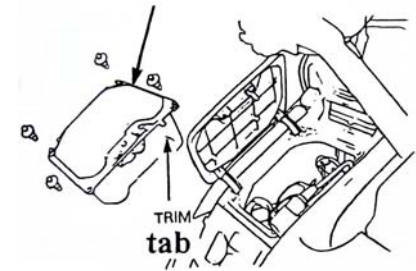
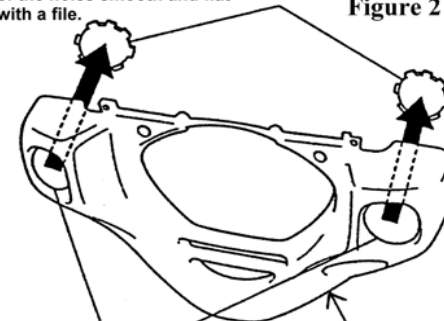


Figure 1

Using nippers, cut out the marked areas from the front lower cowl. Finish the edges of the holes smooth and flat with a file.

Figure 2



Fin

Spacer

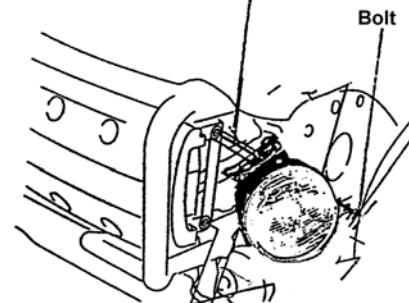
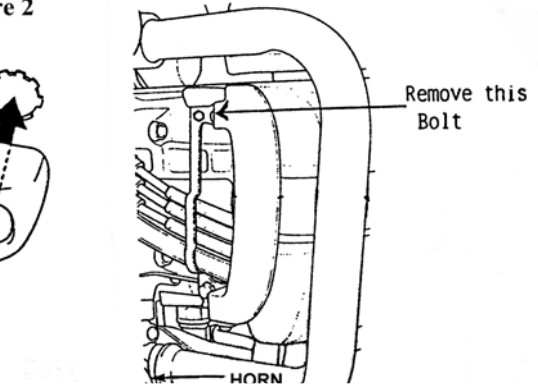


Figure 4

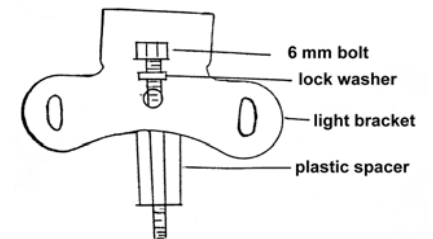


Figure 5