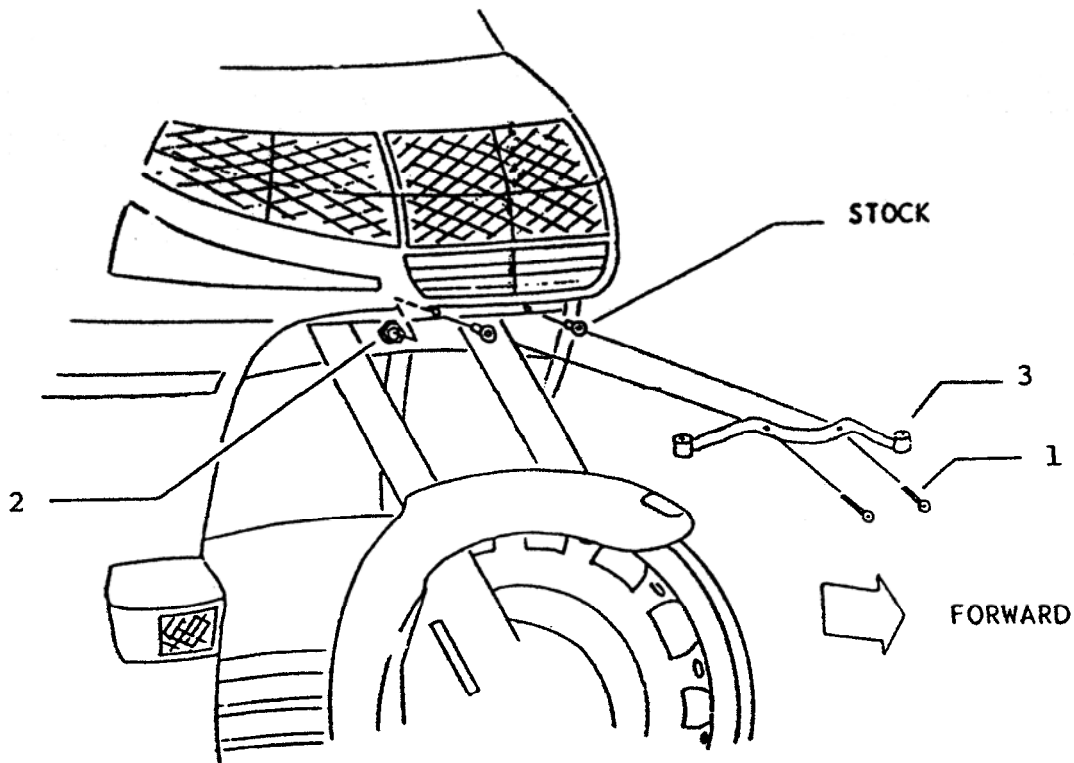




Installation Instructions Part 15993-119 GL1500 Driving Light Bracket

NOTE: Read Instructions carefully before installing.

<u>Qty:</u>	<u>Figure #</u>	<u>Description</u>
2	1	6-1 .0 x 45mm Button Socket Head Screw, Chrome
2	2	6-1 .0mm Hex Nylock Nut, Plated
1	3	Driving Light Mount, Chrome
6		Nylon Zip Ties



1. Place bike on center stand.
2. Remove the 2 stock socket head bolts holding the fairing to its lower front mount underneath the headlight.
3. After removal of the stock bolts, make sure the shoulder spacers stay in the holes. Install the driving light mount as shown using the hardware provided.
4. After tightening the 6mm button socket head bolts, install the 6mm hex nylock nuts provided.

The lights may be wired into the accessory terminal and they should be operated through a "relay". Be careful not to overload the electrical system. **Lights are not** included with the driving light bracket.