



Mounting Instructions for 15733-465A GL1500 Chrome Lower Cowl

Note: Read instructions thoroughly before installing.

1. Place bike on center stand.
2. Remove the front cowl cover as illustrated in Figure 1 or per the service manual.
3. Remove the three screws that hold on the front cowl. Figure 2.
4. Install the front cowl and reinstall the lowers and front panel.

Note: Double check to make sure all screws are tight and all panels have snapped into place.

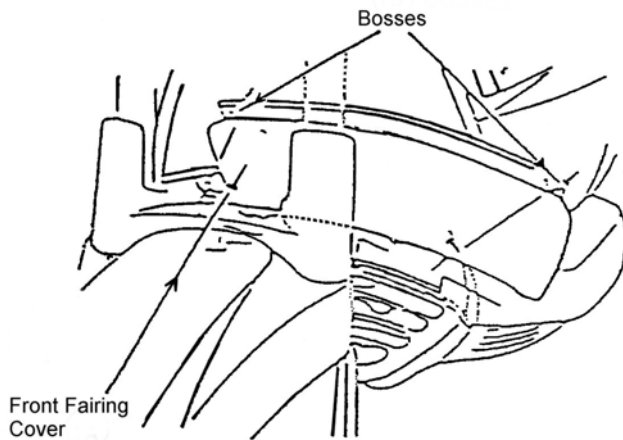


Figure 1

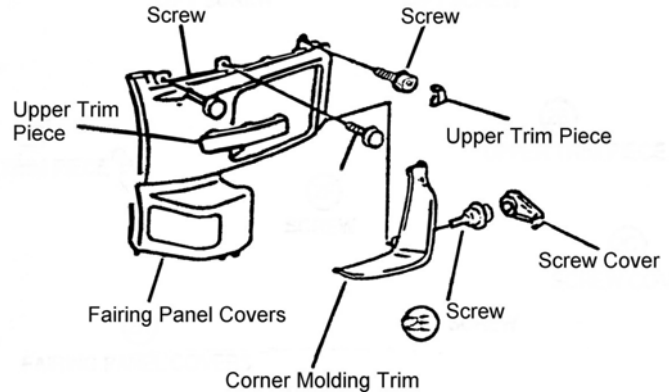


Figure 2

