



Mounting Instructions

Part 15673-184

GL1500 Fairing Side Louver Accents

Read Instructions Carefully Before Installing

1. Place your motorcycle on center stand.
2. Pull outward on the fairing front cover to disengage the bosses, Fig 1B from the fairing panel covers, Fig 2A. Pry off the left and right black plastic upper side trim pieces Fig 2D. NOTE: Each side has one large and one small trim piece to be removed.
3. Pry off the screw cover, Fig 2C from the left and right lower fairing corner molding trim, Fig 2D. Remove the screw (2E) from the left and right lower fairing corner molding trim pieces, Fig 2D. Remove the three screws, Fig 2F from the left and right lower fairing panel covers, Fig 2A. Remove the left and right fairing panel covers.

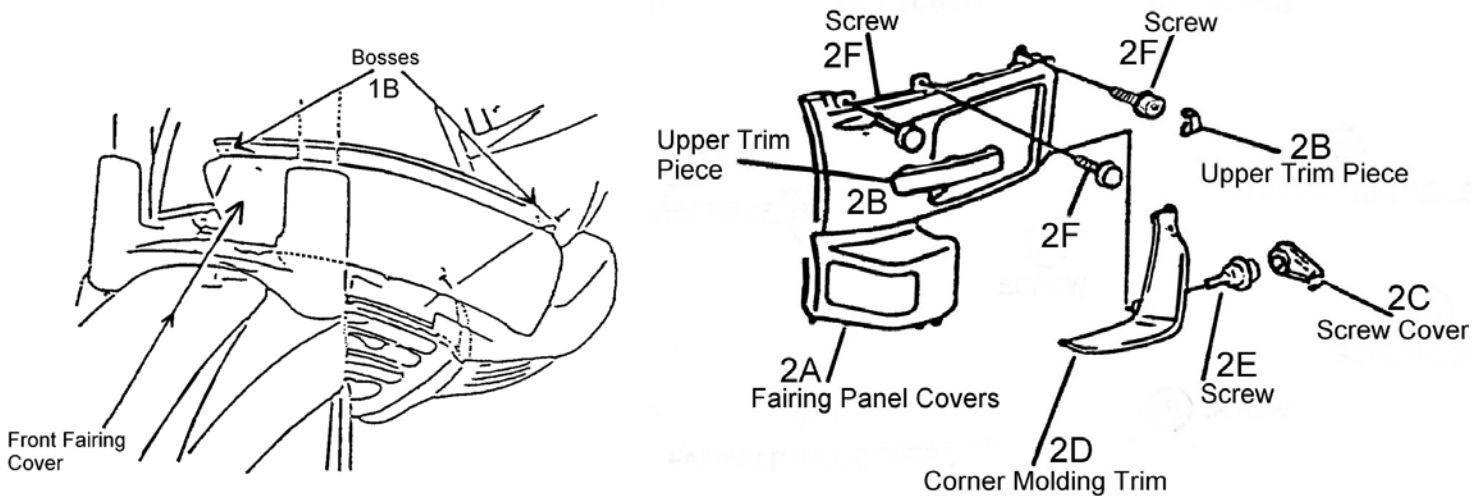


Figure 1

Figure 2

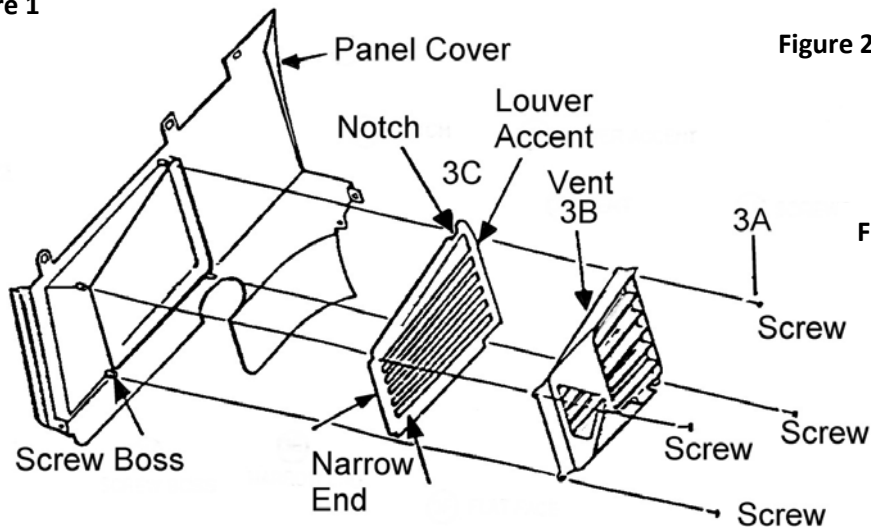


Figure 3

4. Remove the 4 screws as indicated on Fig 3A and the left and right side louver vents at Fig 3B from the fairing panel covers. Position the left and right grills, Fig 3C onto the fairing panel covers with the narrow end to the rear and the flat face facing inward. NOTE: All four corner notches must fit around the screw bosses on the fairing panel cover.
5. Reinstall all items removed by reversing steps one through three and installation is complete. Double check all fasteners for tightness as you go.